

# STIHL

## STIHL AR 1000, 2000, 3000

Instruction Manual





# Contents

<b>1</b>	<b>Introduction</b>	<b>2</b>	<b>10</b>	<b>Connecting and Disconnecting Battery</b>	<b>11</b>
<b>2</b>	<b>Guide to Using this Manual</b>	<b>2</b>	10.1	Connecting battery to a STIHL cordless product with a socket	11
2.1	Applicable Documentation	2	10.2	Connecting battery to a STIHL cordless product with a battery compartment for STIHL AP batteries	12
2.2	Symbols used with warnings in the text	2	10.3	Disconnecting the battery	12
2.3	Symbols in Text	2	<b>11</b>	<b>After Finishing Work</b>	<b>12</b>
<b>3</b>	<b>Overview</b>	<b>3</b>	11.1	After Finishing Work	12
3.1	Battery	3	<b>12</b>	<b>Connecting and Charging USB Device</b>	<b>12</b>
3.2	Symbols	3	12.1	Connecting and charging USB device	12
<b>4</b>	<b>Safety Precautions</b>	<b>4</b>	<b>13</b>	<b>Transporting</b>	<b>12</b>
4.1	Warning Signs	4	13.1	Transporting the Battery	12
4.2	Intended Use	4	<b>14</b>	<b>Storing</b>	<b>13</b>
4.3	The Operator	4	14.1	Storing the Battery	13
4.4	Work Area and Surroundings	5	<b>15</b>	<b>Cleaning</b>	<b>13</b>
4.5	Safe Condition	5	15.1	Cleaning the Battery	13
4.6	Operation	7	15.2	Cleaning Contacts of the Connecting Cable	13
4.7	Transporting	7	<b>16</b>	<b>Maintenance and Repairs</b>	<b>14</b>
4.8	Storing	7	16.1	Servicing and repairing the battery	14
4.9	Cleaning, Maintenance and Repairs	8	<b>17</b>	<b>Troubleshooting</b>	<b>15</b>
<b>5</b>	<b>Preparing Battery for Operation</b>	<b>8</b>	17.1	Troubleshooting Battery or Cordless Product	15
5.1	Preparing Battery for Operation	8	<b>18</b>	<b>Specifications</b>	<b>16</b>
<b>6</b>	<b>Charging the Battery, LEDS and Signals</b>	<b>8</b>	18.1	STIHL AR 1000, 2000, 3000	16
6.1	Charging the Battery	8	18.2	REACH	16
6.2	State of Charge	9	<b>19</b>	<b>Spare Parts and Accessories</b>	<b>16</b>
6.3	LEDs and beeps	9	19.1	Spare Parts and Accessories	16
<b>7</b>	<b>Assembling the Battery</b>	<b>9</b>	<b>20</b>	<b>Disposal</b>	<b>16</b>
7.1	Fitting the Connecting Cable	9	20.1	Disposing of Battery	16
7.2	Fitting and Removing the Rain Cover	10			
7.3	Fitting the bag	10			
<b>8</b>	<b>Adjusting Battery for User</b>	<b>10</b>			
8.1	Fitting and Adjusting the Connecting Cable	10			
8.2	Fitting and Removing Harness	11			
<b>9</b>	<b>Testing the Battery</b>	<b>11</b>			
9.1	Checking LEDs and beeps	11			

# STIHL

This instruction manual is protected by copyright. All rights reserved, especially the rights to reproduce, translate and process with electronic systems.

# 1 Introduction

Dear Customer,

Thank you for choosing STIHL. We develop and manufacture our quality products to meet our customers' requirements. The products are designed for reliability even under extreme conditions.

STIHL also stands for premium service quality. Our specialist dealers guarantee competent advice and instruction as well as comprehensive service support.

We thank you for your confidence in us and hope you will enjoy working with your STIHL product.



Dr. Nikolas Stihl

**IMPORTANT: READ BEFORE USE AND KEEP IN A SAFE PLACE.**

## 2 Guide to Using this Manual

### 2.1 Applicable Documentation

Local safety regulations apply.

- ▶ Read, understand and save the following documents in addition to this instruction manual:
  - Instruction manual of STIHL cordless product being used.
  - Instruction manual for STIHL AL 300, 500 chargers
  - Safety information for STIHL batteries and products with built-in batteries: [www.stihl.com/safety-data-sheets](http://www.stihl.com/safety-data-sheets)

### 2.2 Symbols used with warnings in the text



#### **WARNING**

This symbol indicates dangers that can cause serious injuries or death.

- ▶ The measures indicated can avoid serious injuries or death.

#### **NOTICE**

This symbol indicates dangers that can cause damage to property.

- ▶ The measures indicated can avoid damage to property.

### 2.3 Symbols in Text



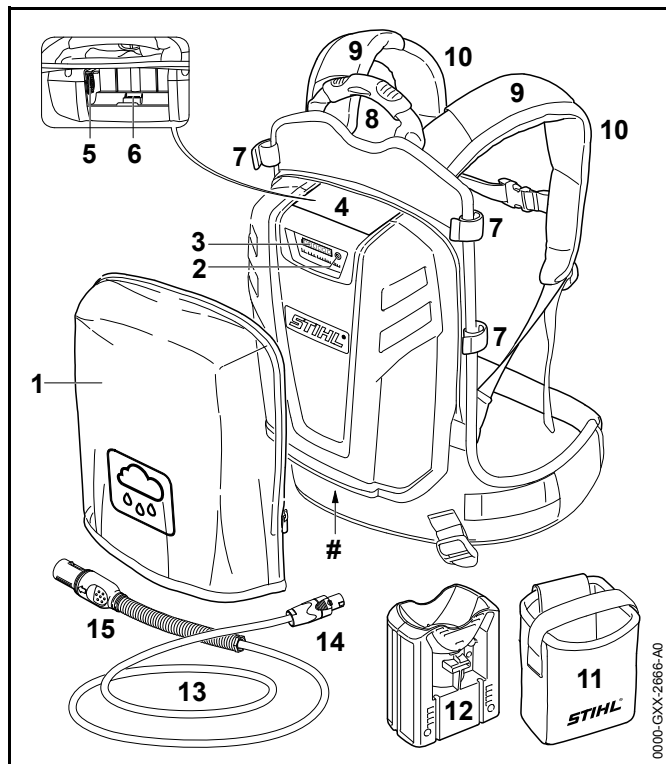
This symbol refers to a chapter in this instruction manual.



A video is available for this chapter

## 3 Overview

### 3.1 Battery



#### 1 Rain cover

Protects battery from rain

#### 2 Button

Activates the LEDs and signals on the battery.

#### 3 LEDs

Indicate state of charge and malfunctions.

#### 4 Cover

Covers socket and USB connection (STIHL AR 1000 only).

#### 5 Socket

Receptacle for plug.

#### 6 USB connection (STIHL AR 1000 only)

For connecting a USB cable or USB adapter

#### 7 Fastener

Holds the connecting cable on the battery.

#### 8 Handle

Serves to carry the battery.

#### 9 Guide

Holds the connecting cable on the battery.

#### 10 Harness

Distributes weight of battery over shoulders and holds the connecting cable.

#### 11 Bag

For transporting and storing AP adapter.

#### 12 AP adapter

Connects battery to a STIHL cordless product with a battery compartment for STIHL AP batteries.

#### 13 Connecting cable

Connects battery to a STIHL cordless product with socket or AP adapter.

#### 14 Plug for battery

Connects cable to battery.


#### 15 Connecting cable plug

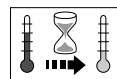
Connects the connecting cable to a STIHL cordless product with socket or AP adapter.

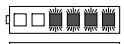
#### # Rating label with serial number

### 3.2 Symbols

Meanings of symbols that may be on the battery:

 1 LED glows red. Battery too hot or too cold.





4 LEDs flash red. There is a malfunction in the battery.



The data next to this symbol indicates the energy content of the battery according to the cell manufacturer's specification. The energy content available during operation is lower.



Do not dispose of the product with your household waste.

## 4 Safety Precautions

### 4.1 Warning Signs



Observe safety notices and take the necessary precautions.



Read, understand and save the instruction manual.



Protect battery from heat and fire.



Protect the battery from rain and damp – do not immerse it in fluids.



Observe battery's specified temperature range.

### 4.2 Intended Use

The STIHL AR battery supplies power to STIHL cordless products that have a socket or a battery compartment for STIHL AP batteries.

The battery may be used in the rain when protected by the rain cover.

The battery may be used only for work performed while standing on the ground or in a lift bucket.

The battery must not be used for cordless lawn mowers.

Carry the battery on your back while working.

The battery is recharged with a STIHL AL 300 or AL 500 charger.

## ⚠ WARNING

- Products and chargers not explicitly approved for the battery by STIHL may cause accidents, a fire or explosion. This can result in serious or fatal injuries and damage to property.
  - ▶ Use the STIHL AR battery with STIHL cordless products that have a socket or a battery compartment for STIHL AP batteries.
  - ▶ Recharge the battery with a STIHL AL 300 or AL 500 charger.
- Using the battery for purposes for which it is not designed may result in serious or fatal injuries and damage to property.
  - ▶ Use the battery as described in this instruction manual.

### 4.3 The Operator

## ⚠ WARNING

- Users without adequate training or instruction cannot recognize or assess the risks involved in using the battery. The user or other persons may sustain serious or fatal injuries.



- ▶ Read, understand and save the instruction manual.

- ▶ If the battery is passed on to another person: Always give them the instruction manual.
- ▶ If you have any queries: Contact a STIHL servicing dealer for assistance.
- ▶ Make sure the user meets the following requirements:
  - The user must be rested.
  - The user must be in good physical condition and mental health to operate and work with the battery. If the user's physical, sensory or mental ability is restricted, he or she may work only under the supervision of or as instructed by a responsible person.
  - The user is able to recognize and assess the risks involved in using the battery.
  - The user must be of legal age or is being trained in a trade under supervision in accordance with national rules and regulations.
  - The user has received instruction from a STIHL servicing dealer or other experienced user before using the battery for the first time.
  - The user must not be under the influence of alcohol, medication or drugs.

#### 4.4 Work Area and Surroundings

### **⚠ WARNING**

- Bystanders, children and animals cannot recognize or assess the dangers of the battery. Bystanders, children and animals may be seriously injured.
  - ▶ Keep bystanders, children and animals away from the work area.
  - ▶ Do not leave the battery unattended.
  - ▶ Make sure that children cannot play with the battery.

- The battery is not protected against all ambient conditions. If the battery is exposed to certain ambient conditions, it may catch fire or explode. This can result in serious injuries and damage to property.



- ▶ Protect battery from heat and fire.
- ▶ Do not throw the battery into a fire.



- ▶ Use and store the battery at temperatures between -10°C and +50°C.



- ▶ Protect the battery from rain and damp – do not immerse it in fluids.
- ▶ If it rains: Fit the rain cover.
- ▶ If there is any ingress of water: Remove the rain cover and allow battery to dry.

- ▶ Keep battery away from metallic objects.
- ▶ Do not expose battery to high pressure.
- ▶ Do not expose battery to microwaves.
- ▶ Protect battery from chemicals and salts.

## 4.5 Safe Condition

### 4.5.1 Battery

The battery is in a safe condition if the following points are observed:

- Battery and harness are not damaged.
- Connecting cable and AP adapter are not damaged.
- Rain cover is not damaged.
- Battery is clean and dry.
- Battery functions properly and has not been modified.
- Only original STIHL accessories designed for this battery are fitted.
- Accessories are properly mounted.

## **⚠ WARNING**

- A battery that is not in a safe condition cannot operate safely. This can result in serious injuries.
  - ▶ Never work with a damaged battery.
  - ▶ Never attempt to charge a damaged or defective battery.
  - ▶ Work only with an undamaged harness.
  - ▶ Work only with an undamaged connecting cable and an undamaged AP adapter.
  - ▶ Use only an undamaged rain cover.
  - ▶ If the battery is damp: Allow the battery to dry.
  - ▶ If the connecting cable and AP adapter are damp: Allow connecting cable and AP adapter to dry.
  - ▶ If the battery is dirty or wet: Clean the battery and allow it to dry.
  - ▶ Never attempt to modify the battery.
  - ▶ Never insert objects in the battery's openings.
  - ▶ Never bridge the battery's contacts with metallic objects (short circuit).
  - ▶ Do not open the battery.
  - ▶ Use only original STIHL accessories designed for this battery.
  - ▶ Mount accessories as described in this instruction manual or the instruction manual supplied with the accessory.
- Fluid may escape from a damaged battery. The fluid can cause irritation if it contacts the skin or eyes.
  - ▶ Avoid contact with the fluid.
  - ▶ In case of contact with the skin: Wash affected areas with plenty of water and soap.
  - ▶ In case of contact with the eyes: Rinse eyes with plenty of water for at least 15 minutes and seek medical advice.

- A damaged or defective battery may smell unusual, emit smoke or burn. This can result in serious or fatal injuries and damage to property.
  - ▶ If the battery smells unusual or emits smoke: Take the battery off your back. Do not use the battery and keep it away from combustible substances.
  - ▶ If the battery catches fire: Attempt to extinguish the battery with a fire extinguisher or water.

### **4.5.2 Connecting cable and AP adapter**

Contact with live components may occur for the following reasons:

- Connecting cable is damaged.
- Connecting cable plug or plug on battery damaged.
- The AP adapter is damaged.

## **⚠ WARNING**

- Contact with live components can result in an electric shock. This can result in serious or fatal injuries.
  - ▶ Make sure the connecting cable, its plug, the plug on the battery and the AP adapter are not damaged.
- Connecting cable can be damaged if it is not laid properly. This can result in injuries and may damage the connecting cable.
  - ▶ Position the connecting cable so that it cannot be touched by the tool being used.
  - ▶ Position the connecting cable so that it cannot be kinked or damaged.
  - ▶ If the connecting cable is twisted: Straighten it out.



## 4.6 Operation

### **⚠ WARNING**

- The user cannot concentrate on the work in certain situations. The user may stumble, fall and be seriously injured.
  - ▶ Work calmly and carefully.
  - ▶ If light and visibility are poor: Do not work with the battery.
  - ▶ Watch out for obstacles.
  - ▶ Stand on the ground while working and keep a good balance. If it is necessary to work at heights: Use an elevated work platform.
  - ▶ If you begin to feel tired: Take a break.
- If you notice any change in the battery during operation, if it behaves unusually or there is a quick succession of short beeps, the battery may be in an unsafe condition. This can result in serious injuries and damage to property.
  - ▶ Stop work, take the battery off your back and contact your STIHL servicing dealer.
  - ▶ If the battery smells unusual or emits smoke: Take the battery off your back. Do not use the battery and keep it away from combustible substances.
- In an emergency, the user may panic and not put the harness down. This can result in serious injuries.
  - ▶ Practice removing and putting down the harness.

## 4.7 Transporting

### **⚠ WARNING**

- The battery is not protected against all ambient conditions. The battery may be damaged if it is exposed to certain ambient conditions and damage to property may occur.
  - ▶ Never transport a damaged battery.
  - ▶ Store the battery in non-conductive packaging.
  - ▶ Transport the AP adapter in the bag.

- The battery may turn over or shift during transport. This may result in personal injuries and damage to property.
  - ▶ Pack the battery in packaging in such a way that it cannot move.
  - ▶ Secure the packaging so that it cannot move.

## 4.8 Storing

### **⚠ WARNING**

- Children are not aware of and cannot assess the dangers of the battery and can be seriously injured.
  - ▶ Store the battery out of the reach of children.
- The battery is not protected against all ambient conditions. The battery may be damaged if it is exposed to certain ambient conditions.
  - ▶ Store the battery in a clean and dry condition.
  - ▶ Store the battery in an enclosed location.
  - ▶ Store the battery separately from the cordless product and charger.
  - ▶ Store the battery in non-conductive packaging.
  - ▶ Store the battery at temperatures between -10°C and +50°C.
  - ▶ Transport the AP adapter in the bag.
- The connecting cable must not be used for carrying or hanging up the battery. The connecting cable and the battery may be damaged.
  - ▶ Wind up the connecting cable and secure it to the battery.

## 4.9 Cleaning, Maintenance and Repairs







### **⚠ WARNING**

- Aggressive cleaning agents, cleaning with a jet of water or pointed objects can damage the battery. If the battery is not cleaned correctly, components may no longer function properly or safety devices may be rendered inoperative. This can result in serious injuries.
  - ▶ Clean the battery as described in this instruction manual.
- If the battery is not serviced or repaired correctly, components may no longer function properly or safety devices may be rendered inoperative. This can result in serious or fatal injuries.
  - ▶ Do not attempt to service or repair the battery.
  - ▶ If the battery needs to be serviced or repaired: Contact your STIHL servicing dealer for assistance.

## 5 Preparing Battery for Operation

### 5.1 Preparing Battery for Operation

Perform the following steps before starting work:

- ▶ Check the LEDs and beeps,  9
  - ▶ If 4 LEDs flash red and short beeps sound in quick succession: Do not use or transport the battery, contact your STIHL servicing dealer. There is a malfunction in the battery.
- ▶ Fully charge the battery,  6
- ▶ Clean the battery,  15.1
- ▶ Clean contacts of the connecting cable,  15.2
- ▶ Fit the connecting cable,  7
- ▶ Make sure the battery is in a safe condition,  4.5.
- ▶ If you cannot carry out these steps: Do not use the battery and contact your STIHL dealer for assistance.

## 6 Charging the Battery, LEDS and Signals

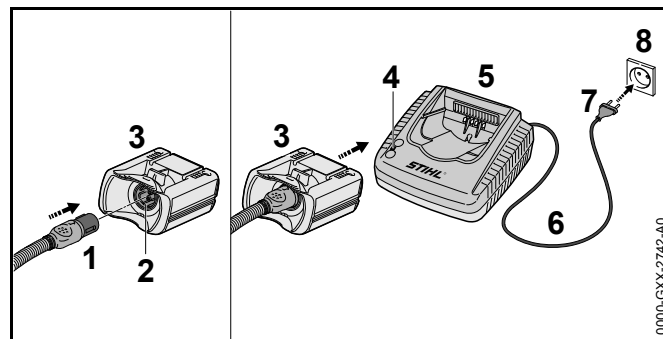
### 6.1 Charging the Battery

The charging time depends on several factors, e.g. temperature of the battery or the ambient temperature. The actual charging time may differ from the specified charging time. For specified charging times see [www.stihl.com/charging-times](http://www.stihl.com/charging-times).

The charging process starts automatically when the plug is inserted in a wall outlet and the AP adapter is fitted in the charger. The charger switches itself off automatically when the battery is fully charged.

The battery and charger heat up during the charging process.

The STIHL AL 300 and AL 500 chargers have a built-in fan which may cut in and out during the charging process.





- ▶ Insert the plug (7) in a convenient wall outlet (8). The charger (5) runs a self test. The LED (4) glows green for about 1 second and then red for about 1 second.

### **⚠ WARNING**

Persons may trip over the connecting cable. This can result in injuries and may damage the charger.

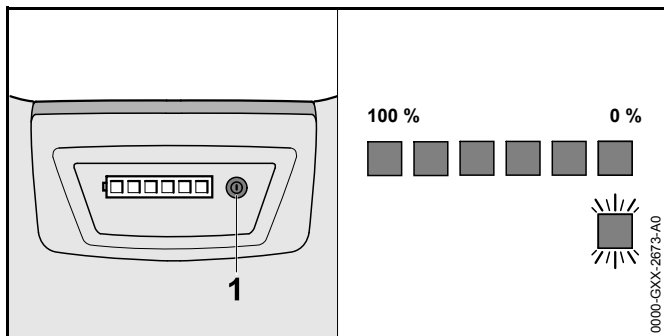
- ▶ Lay the connecting cable flat on the floor.
- ▶ Lay the connecting cable (6).

- ▶ Insert the battery cable plug (1) in the socket (2) on the AP adapter (3).
- ▶ Insert the AP adapter (3) in the guides in the charger (5) and press it home as far as stop.  
The LED (4) glows green. The LEDs on the battery glow green and the battery is charged.
- ▶ If the LED (4) and the LEDs on the battery stop glowing: Disconnect the plug (7) from the wall outlet (8).  
Battery is fully charged.
- ▶ Remove the AP adapter (3).

- ▶ If the LEDs glow or flash red or there are no beeps: Rectify the malfunction.  17  
There is a malfunction in the cordless product or battery.
- ▶ If the four right-hand LEDs on the battery flash red and short beeps sound in quick succession: Troubleshooting,  17.  
There is a malfunction in the battery.

## 7 Assembling the Battery

### 6.2 State of Charge



- ▶ Press the button (1).  
The LEDs (5) glow green for about 5 seconds and indicate the state of charge. There is a short beep.
- ▶ If the right-hand LED flashes green and there are four long beeps: Charge the battery.

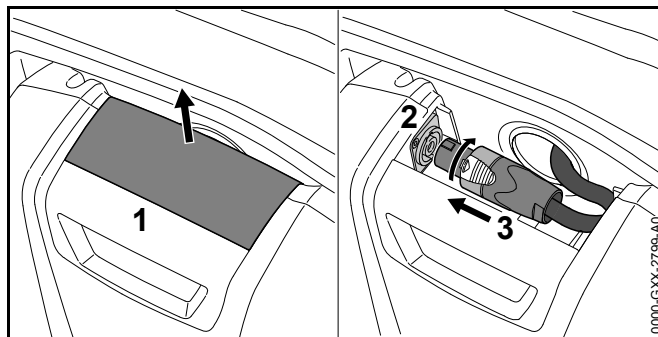
### 6.3 LEDs and beeps

The LEDs and beeps can indicate the battery's state of charge or malfunctions. The LEDs can glow or flash green or red. Beeps may be short or long.

The state charge is indicated when the LEDs glow or flash green and there is a short beep.

- ▶ If the right-hand LED flashes green and there are four long beeps: Charge the battery.

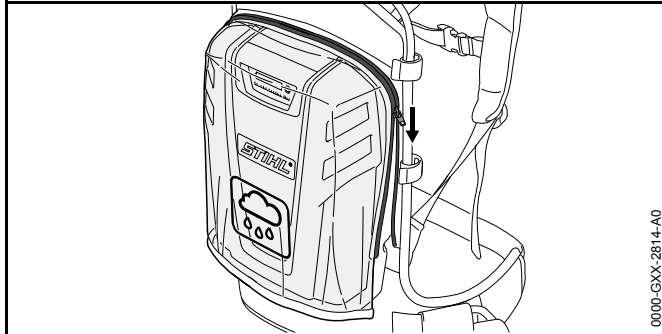
### 7.1 Fitting the Connecting Cable



- ▶ Pull off the cover (1).
- ▶ Pass the plug (3) through the opening in the backplate.
- ▶ Hold the plug (3) so that its lug lines up with the recess in the socket (2).
- ▶ Insert the plug (3) in the socket (2) and turn it clockwise.  
The plug engages with an audible click.
- ▶ Refit the cover (1).

## 7.2 Fitting and Removing the Rain Cover

### 7.2.1 Fitting the rain cover

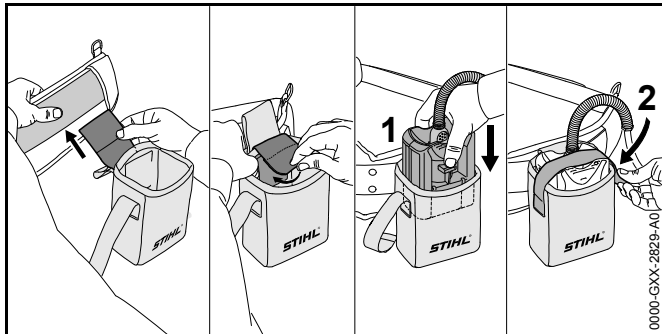


- ▶ Fit the rain cover in position and close the zipper.

### 7.2.2 Removing the rain cover

- ▶ Open the zipper and take off the rain cover.

## 7.3 Fitting the bag

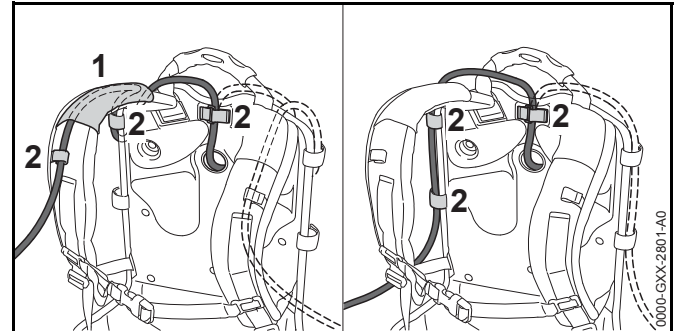


- ▶ Attach bag to harness.
- ▶ Insert the AP adapter (1).
- ▶ Secure AP adapter (1) in position with the hook and loop fastener (2).

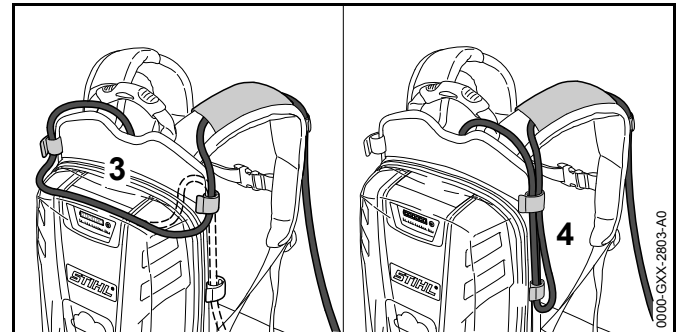
# 8 Adjusting Battery for User

## 8.1 Fitting and Adjusting the Connecting Cable

The connecting cable can be fitted and adjusted to suit the user's size, different cordless products and the application.



The connecting cable can be secured in position by the guide (1) on the harness and the fasteners (2), or on the side of the backplate with the fasteners (2).



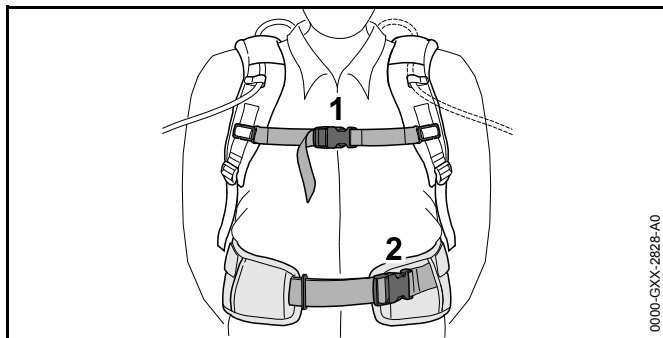
The length of the connecting cable can be adjusted by making a loop on the backplate (3) or at one side (4).

- ▶ Fit the connecting cable so that it is as short as possible without hindering your work.

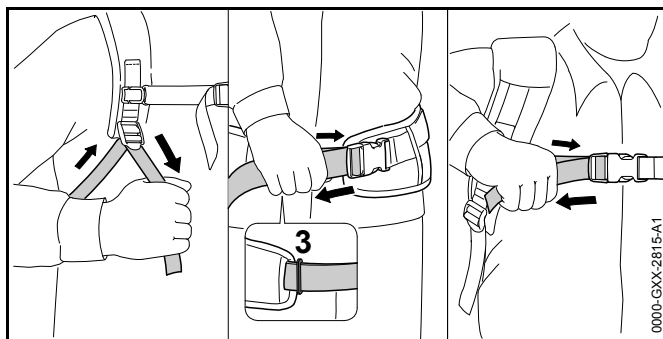
## 8.2 Fitting and Removing Harness

### 8.2.1 Putting On and Adjusting the Carrying System

- ▶ Place battery on your back.



- ▶ Close fastening (2) of hip belt.
- ▶ Close fastening (1) of chest strap.



- ▶ Tighten up the straps until the hip belt sits snugly on your hips and the back padding sits snugly on your back.
- ▶ Thread end of hip belt through the loop (3).

### 8.2.2 Removing the Carrying System

- ▶ Loosen the straps.
- ▶ Open the buckles on the chest strap and waist belt.
- ▶ Take the battery off your back.

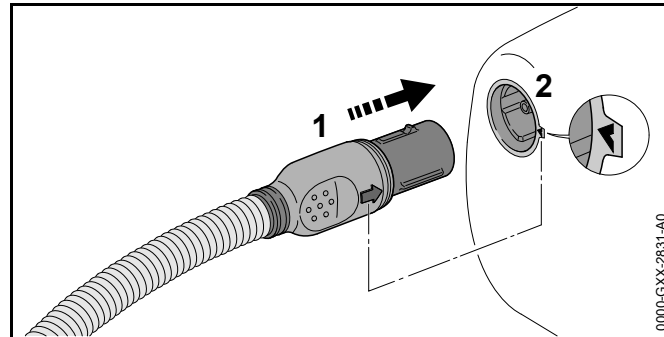
## 9 Testing the Battery

### 9.1 Checking LEDs and beeps

- ▶ Press button on battery.  
The LEDs glow green and a short beep sounds. The state of charge is indicated.
- ▶ If the right-hand LED flashes green and there are four long beeps: Charge the battery.
- ▶ If the LEDs do not glow or flash or there are no beeps: Do not use the battery and contact your STIHL servicing dealer.  
There is a malfunction in the battery.

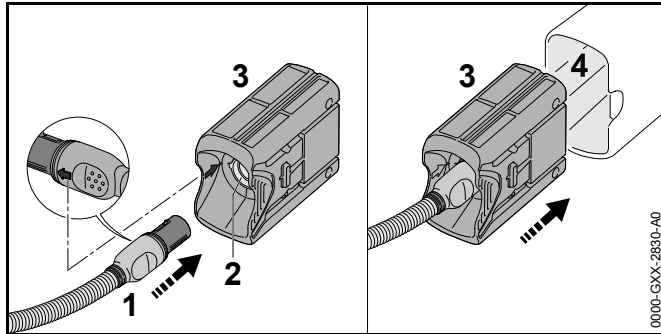
## 10 Connecting and Disconnecting Battery

### 10.1 Connecting battery to a STIHL cordless product with a socket



- ▶ Hold connecting cable plug (1) so that the arrow on its side lines up with the arrow point on the socket (2).
- ▶ Insert the connecting cable plug (1) in the socket (2).

## 10.2 Connecting battery to a STIHL cordless product with a battery compartment for STIHL AP batteries



- ▶ Hold connecting cable plug (1) so that the arrow on its side lines up with the arrow point on the AP adapter's socket (2).
- ▶ Insert the connecting cable plug (1) in the socket (2) on the AP adapter (3).
- ▶ Push AP adapter (3) into the battery compartment (4).

## 10.3 Disconnecting the battery

- ▶ Switch off the cordless product.
- ▶ If you are using a cordless product with a socket: Pull the connecting cord plug out of the socket.
- ▶ If you are using an AP adapter: Take the AP adapter out of the battery compartment.

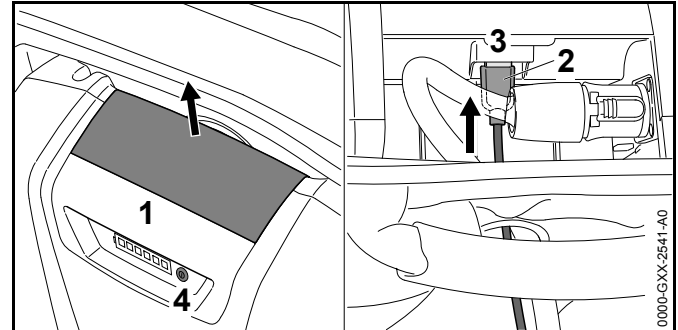
## 11 After Finishing Work

### 11.1 After Finishing Work

- ▶ Switch off the cordless product.
- ▶ Pull connecting cable plug out of the socket or the AP adapter.
- ▶ If the battery is wet: Allow the battery to dry.
- ▶ Clean the battery.

## 12 Connecting and Charging USB Device

### 12.1 Connecting and charging USB device



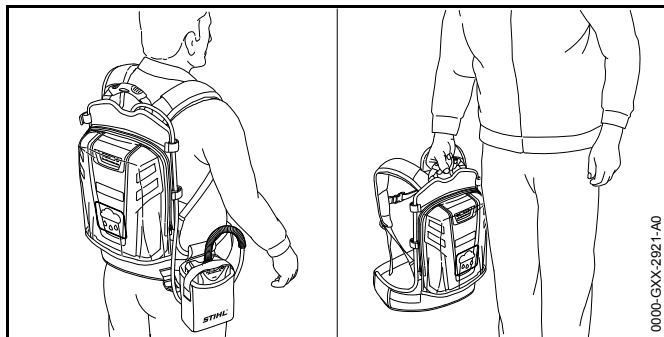
- ▶ Pull off the cover (1).
- ▶ Pass USB cable's plug (2) through the opening in the backplate.
- ▶ Insert the plug (2) in the USB port (3).
- ▶ Refit the cover (1).
- ▶ Press the button (4).  
Charging begins.

The USB cable must be removed before starting work.

## 13 Transporting

### 13.1 Transporting the Battery

- ▶ Make sure the battery is in a safe condition.
- ▶ Insert AP adapter, with cable connected, in the bag on the harness.



- ▶ Carry the battery on your back or by the handle.
- ▶ If the battery has to be packed: Observe the following points when packing the battery:
  - The packaging must be non-conductive.
  - Make sure the battery cannot shift inside the packaging.
- ▶ Secure the packaging so that it cannot move.

The battery is subject to the requirements for the transport of dangerous goods. The battery is classified as UN 3480 (lithium-ion batteries) and has been tested in accordance with UN Manual of Tests and Criteria, Part III, sub-section 38.3.

For transport regulations see [www.stihl.com/safety-data-sheets](http://www.stihl.com/safety-data-sheets)

## 14 Storing

### 14.1 Storing the Battery

STIHL recommends that you store the battery with a charge between 30% and 45% (2 LEDs glow green).

- ▶ Observe the following points when storing the battery:
  - Battery is out of the reach of children.
  - Battery is clean and dry.
  - Battery is in an enclosed space.
  - Battery is stored separately from the product and charger.
  - Battery is in non-conductive packaging.

- Battery is in a temperature range between  $-10^{\circ}\text{C}$  and  $+50^{\circ}\text{C}$ .

## 15 Cleaning

### 15.1 Cleaning the Battery

- ▶ Clean the battery with a damp cloth.

### 15.2 Cleaning Contacts of the Connecting Cable

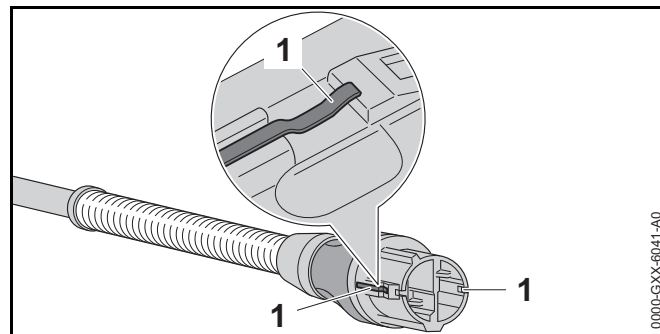


A video is available for this chapter

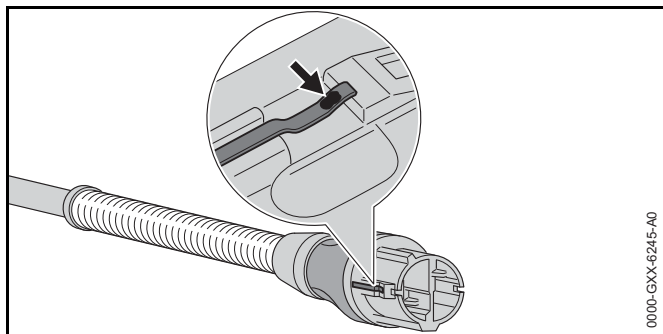


[www.stihl.com/sxwjNw](http://www.stihl.com/sxwjNw)

- ▶ Pull connecting cable plug out of the socket or the AP adapter.



- ▶ Clean the contacts (1) with a dry cloth.



- ▶ If the contacts are discolored (arrow): Use a fine sandpaper (grade P600) to remove the discoloration and clean the contacts until they are bright.

## 16 Maintenance and Repairs

### 16.1 Servicing and repairing the battery

The battery requires no servicing and cannot be repaired by the user.

- ▶ If the battery has a malfunction or is damaged: Do not use the battery and contact your STIHL servicing dealer.



## 17 Troubleshooting

### 17.1 Troubleshooting Battery or Cordless Product

Condition	LEDs and beeps	Cause	Remedy
Cordless product does not run after switch-on or cuts out during operation.	1 LED flashes green and 4 long beeps sound.	Battery has low charge.	<ul style="list-style-type: none"> <li>▶ Recharge the battery fully as described in the instruction manual for the STIHL AL 300 and AL 500 chargers.</li> </ul>
	1 LED glows red.	Battery too hot or too cold.	<ul style="list-style-type: none"> <li>▶ Disconnect the battery.</li> <li>▶ Allow battery to cool down or warm up.</li> </ul>
	3 LEDs flash red.	There is a malfunction in the battery.	<ul style="list-style-type: none"> <li>▶ Disconnect battery and then reconnect it.</li> <li>▶ Switch on the cordless product.</li> <li>▶ If 3 LEDs continue to flash red: Contact a STIHL servicing dealer for assistance.</li> </ul>
	3 LEDs glow red.	Cordless product too hot.	<ul style="list-style-type: none"> <li>▶ Disconnect the battery.</li> <li>▶ Wait for cordless product to cool down.</li> </ul>
	4 LEDs flash red and short beeps sound in quick succession.	There is a malfunction in the battery.	<ul style="list-style-type: none"> <li>▶ Take the battery off your back.</li> <li>▶ Disconnect battery and then reconnect it.</li> <li>▶ Switch on the cordless product.</li> <li>▶ If 4 LEDs continue to flash red and short beeps sound in quick succession: Do not use or transport the battery, contact your STIHL servicing dealer.</li> </ul>
		No electrical contact between cordless product and battery.	<ul style="list-style-type: none"> <li>▶ Disconnect battery and then reconnect it.</li> <li>▶ If the cordless product still does not run when switched on or cuts out during operation: Clean contacts of the connecting cable.</li> </ul>
		Cordless product or battery damp.	<ul style="list-style-type: none"> <li>▶ Allow cordless product / battery to dry.</li> </ul>
Runtime of cordless product is too short.		Battery not fully charged.	<ul style="list-style-type: none"> <li>▶ Recharge the battery fully as described in the instruction manual for the STIHL AL 300 and AL 500 chargers.</li> </ul>
		Normal battery life has been exceeded.	<ul style="list-style-type: none"> <li>▶ Replace the battery.</li> </ul>
Charge process does not start when AP adapter is inserted in the charger.	1 LED glows red.	Battery too hot or too cold.	<ul style="list-style-type: none"> <li>▶ Leave AP adapter in the charger.</li> <li>▶ Charge process starts automatically as soon as permissible temperature range is reached.</li> </ul>

## 18 Specifications

### 18.1 STIHL AR 1000, 2000, 3000

- Battery technology: Lithium-ion
- Voltage: 36 V
- Capacity in Ah: see rating label
- Energy content in Wh: see rating label
- Permissible temperature range for operation and storage: -10°C to +50°C
- Protection rating of rain cover: IPx3 (protected against spraying water)
- Weight
  - AR 1000: 5.5 kg
  - AR 2000: 7.8 kg
  - AR 3000: 8.1 kg
- USB connection (AR 1000 only): Plug type A
  - BC1.2 (DCP)
  - Output voltage: 5 V
  - Maximum charging current: 1.5 A

### 18.2 REACH

REACH is an EC regulation and stands for the Registration, Evaluation, Authorisation and Restriction of Chemical substances.

For information on compliance with the REACH regulation see [www.stihl.com/reach](http://www.stihl.com/reach).

## 19 Spare Parts and Accessories

### 19.1 Spare Parts and Accessories

**STIHL**® These symbols identify original STIHL replacement parts and original STIHL accessories.

STIHL recommends the use of original STIHL replacement parts and accessories.

Original STIHL replacement parts and original STIHL accessories are available from STIHL servicing dealers.

## 20 Disposal

### 20.1 Disposing of Battery

Contact your STIHL servicing dealer for information on disposal.

- ▶ Dispose of the battery and packaging in accordance with local regulations and environmental requirements.



0458-794-9921-C

englisch



[www.stihl.com](http://www.stihl.com)



0458-794-9921-C